

FD20-35H

DIESEL FORKLIFT



DIESEL FORKLIFT



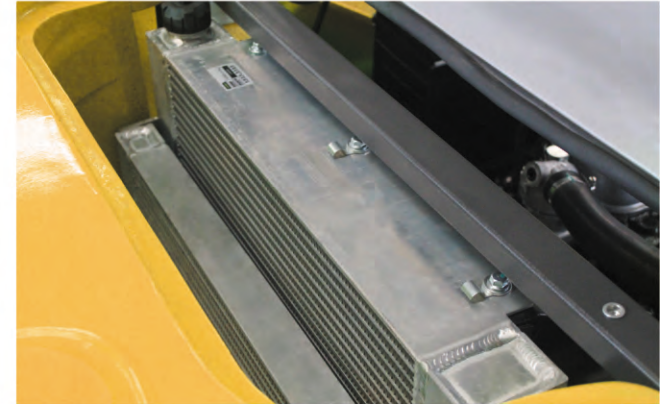
Exceptional Powertrain

Combine Isuzu C240/4JG2, Mitsubishi S4S diesel engine and Nissan K25 gasoline engine with automatic transmission design, operator has got a powertrain that delivers strong load handling and smooth acceleration.



Ergonomics

Roomy foot space of 1.06 meters wide enables a comfort operation. Hydraulic controls are located besides display for maximum operator comfort, while allowing easy right-side entry and exit.



High Efficient Cooling

"Orlandi" radiator system from Italy offers ample reliability by preventing overheating and saving the oil consumption.



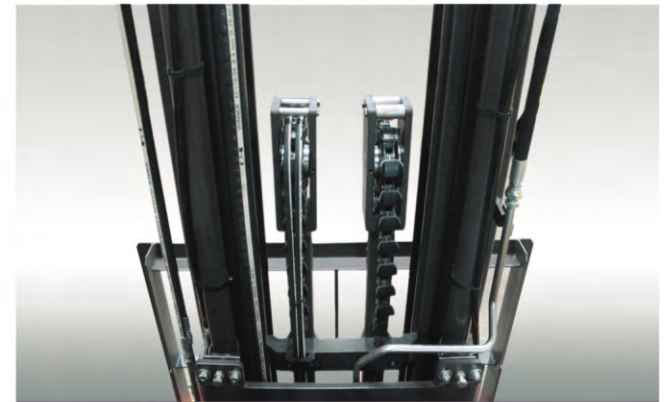
Combination Display and USB

LED Display offers useful information, such as the fuel meter, water temperature indicator and hour meters. USB charger and power outlet are special designed for the convenience of operator.



Reliable Component

SHIMADZU pump and valve, EATON oil pipe ensure precise control and durable lifetime.



Outstanding Visibility

Wide-view mast allows operator to see the forks tips in any position, helping to enhance safety and reducing operator fatigue.

Machine Parameters

Characteristics		FD20H	FD25H	FD30H	FD35H
Power	-	Diesel	Diesel	Diesel	Diesel
Rated Capacity	kg	2000	2500	3000	3500
Load Center	J(mm)	500	500	500	500
Max. Lifting Height	H1(mm)	3000	3000	3000	3000
Free Lifting Height	H3(mm)	135	135	145	160
Fork Size LxWxH	L5xWxT(mm)	1070x122x40	1070x122x40	1070x125x45	1070x125x50
Mast Tilting Angle Forward/Backward	°	6/12	6/12	6/12	6/12
Min. Turning Radius	R1(mm)	2240	2240	2410	2445
Min. Ground Clearance(mast)	Ra(mm)	110	110	120	120
Overhead Guard Height	H4(mm)	2060	2060	2090	2090
Height from Seat to Overhead Guard	mm	1005	1005	1005	1005
Performance					
Max. Traveling Speed(loaded)	km/h	19	19	20	20
Max. Lifting Speed(loaded/unloaded)	mm/s	490/510	490/510	470/520	470/520
Max. Traction/Gradeability (loaded)	kN/%	17/20	17/20	18/20	18/20
Min. Right Angle Stacking Aisle Width	mm	4183	4183	4363	4403
Dimensions					
Overall Length(without fork)	L1(mm)	2570	2570	2705	2746
Overall Width	W1(mm)	1160	1160	1230	1230
Mast Lowered Height	H2(mm)	1990	1990	2055	2095
Mast Extended Height	mm	4000	4000	4256	4256
Chassis					
Tyre(Front)	-	7.00-12-12PR	7.00-12-12PR	28x9-15-12PR	28x9-15-12PR
Tyre(Rear)	-	6.00-9-10PR	6.00-9-10PR	6.50-10-10PR	6.50-10-10PR
Wheelbase	L2(mm)	1600	1600	1700	1700
Tread(Front/Rear)	S(mm)	970/970	970/970	1000/970	1000/970
Curb Weight(None-load)	kg	3350	3800	4350	4850
Powertrain					
Battery(Voltage/Capacity)	V/Ah	12/90	12/90	12/90	12/90
Engine(Model)	-	Isuzu C240	Isuzu C240	Isuzu C240	Isuzu C240
Engine(Rated power)	kW/r.p.m	34.3/2500	34.3/2500	34.3/2500	34.3/2500
Engine(Rated torque)	Nm/r.p.m	137.7/1800	137.7/1800	137.7/1800	137.7/1800
Engine(Cylinder amount)	-	4	4	4	4
Engine(Bore×Stroke)	mm	86×102	86×102	86×102	86×102
Engine(Displacement)	L	2.369	2.369	2.369	2.369
Fuel Tank Capacity	L	60	60	70	70
Transmission	-	Electro-hydraulic	Electro-hydraulic	Electro-hydraulic	Electro-hydraulic
Working Pressure	MPa	17.5	17.5	17.5	17.5

Remarks:The above parameters are based on 3M duplex standard mast.

Specification of Mast

M-Duplex Standard Mast

Lifting Height	Capacity				Mast Height				Mast Tilt Angle		
	2T	2.5T	3T	3.5T	2T-2.5T		3T			3.5T	
	Single Tire				Forks Landing	Height with Backrest	Forks Landing	Height with Backrest		Forks Landing	Height with Backrest
mm	kg	kg	kg	kg	mm	mm	mm	mm	mm	mm	°
2000	2000	2500	3000	3500	1495	3025	1565	3260	1595	3265	6/12
2500	2000	2500	3000	3500	1745	3525	1815	3760	1845	3765	6/12
3000	2000	2500	3000	3500	1995	4025	2065	4260	2095	4265	6/12
3300	2000	2500	3000	3500	2145	4325	2215	4560	2245	4565	6/12
3500	2000	2500	3000	3500	2245	4525	2315	4760	2345	4765	6/12
3700	2000	2500	3000	3500	2345	4725	2415	4960	2445	4965	6/12
4000	2000	2500	3000	3500	2545	5025	2615	5260	2645	5265	6/12
4500	1800/*1900	2200/*2400	2600/*3000	2850/*3500	2795	5525	2865	5760	2895	5765	6/6 *6/12
5000	1300/*1700	1450/*2200	2100/*2850	2400/*3150	3045	6025	3115	6260	3145	6265	6/6 *6/6
5500	*1500	*1700	1550/*2400	1850/*2700	3345	6525	3415	6760	3445	6765	*3/6
6000	*1300	*1400	1100/*2000	1400/*2300	3595	7025	3665	7260	3685	7265	*3/6

Remark: * means double front tires.

Z-Duplex Full Free Mast

Lifting Height	Capacity				Mast Height				Free Lifting Height			Mast Tilt Angle		
	2T	2.5T	3T	3.5T	2T-2.5T		3T		3.5T		2T-2.5T		3T	3.5T
	Single Tire				Forks Landing	Height with Backrest	Forks Landing	Height with Backrest	Forks Landing	Height with Backrest	Height with Backrest			
mm	kg	kg	kg	kg	mm	mm	mm	mm	mm	mm	mm	mm	mm	°
2000	2000	2500	3000	3500	1495	3035	1565	3275	1595	3273	511	337	367	6/12
2500	2000	2500	3000	3500	1745	3535	1815	3775	1845	3773	761	587	617	6/12
3000	2000	2500	3000	3500	1995	4035	2065	4275	2095	4273	1011	837	867	6/12
3300	2000	2500	3000	3500	2145	4335	2215	4575	2245	4573	1161	987	1017	6/12
3500	2000	2500	3000	3500	2245	4535	2315	4775	2345	4773	1261	1087	1117	6/12
3700	2000	2500	3000	3500	2345	4735	2415	4975	2445	4973	1361	1187	1217	6/12
4000	2000	2500	3000	3500	2545	5035	2615	5275	2645	5273	1561	1387	1417	6/12

Remark: The max. lifting height without backrest: 2T-2.5T -420mm; 3T-3.5T -580mm.
The free lifting height without backrest: 2T-2.5T +420mm; 3T-3.5T +580mm.

S-Triplex Full Free Mast

Lifting Height	Capacity				Mast Height				Free Lifting Height			Mast Tilt Angle		
	2T	2.5T	3T	3.5T	2T-2.5T		3T		3.5T		2T-2.5T		3T	3.5T
	Single Tire				Forks Landing	Height with Backrest	Forks Landing	Height with Backrest	Forks Landing	Height with Backrest	Height with Backrest			
mm	kg	kg	kg	kg	mm	mm	mm	mm	mm	mm	mm	mm	mm	°
3600	2000	2500	3000	3350	1765	4625	1830	4865	1830	4870	781	602	607	6/6
4000	2000	2500	3000	3350	1900	5025	1965	5270	1965	5275	916	737	742	6/6
4350	1870/*2000	2370/*2500	2870/*3000	3270/*3300	2015	5375	2080	5615	2080	5620	1031	852	857	6/6
4500	1750/*2000	2070/*2500	2570/*3000	3050/*3300	2065	5525	2130	5765	2130	5770	1081	902	907	6/6
4800	1650/*1800	1750/*2300	2250/*2800	2700/*3000	2165	5825	2230	6065	2230	6070	1181	1002	1007	6/6
5000	1450/*1650	1500/*2150	2000/*2650	2450/*2850	2230	6025	2295	6260	2295	6265	1246	1067	1072	6/6
5500	1100/*1350	1200/*1650	1550/*2300	1850/*2600	2395	6525	2460	6755	2460	6765	1411	1232	1237	*3/6
6000	800/*1100	800/*1300	1100/*2100	1400/*2350	2615	7025	2680	7265	2680	7270	1631	1452	1457	*3/6

Remark: The max. lifting height without backrest: 2T-2.5T -410mm; 3T-3.5T -580mm.
The free lifting height without backrest: 2T-2.5T +410mm; 3T-3.5T +580mm.
* means double front tires

Optional Attachments



Rotating Roll Clamp



Rotator



Side Shifter



Multi Pallet Handler



Bale Clamp



Push-pull with Sheet Saver

High-visibility Two Stage Free Lift Mast
 High-visibility Three Stage Free Lift Mast
 Widen Fork Carriage
 Lengthen Fork
 Lengthen Fork Extension

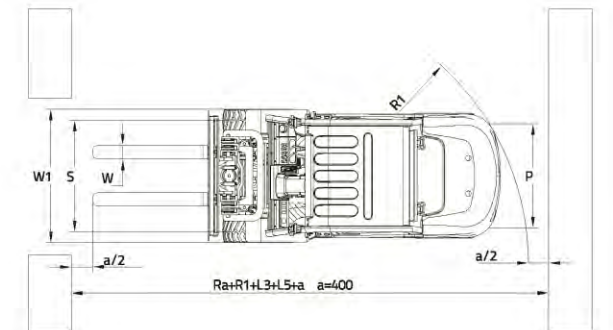
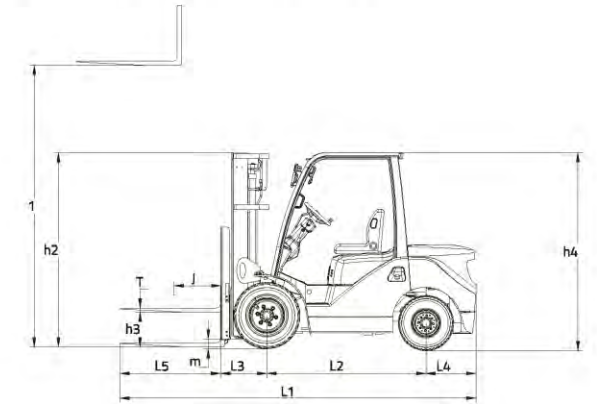
Carton Clamp
 Hinged Fork/Hinged Bucket
 Paper Roll Clamp
 Block Clamp
 Multi-use Drum Bucket

Load Stabilizer
 Load Pusher
 Carpet Boom
 Crane Jib
 Fork Positioner

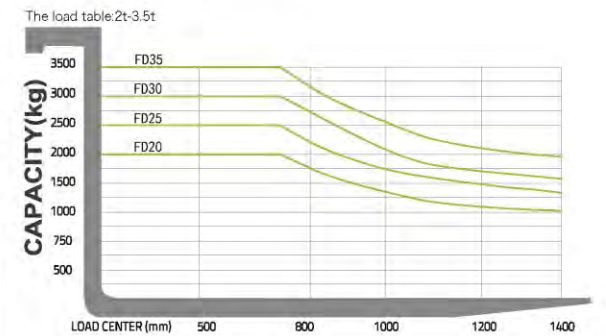
Specification Of Optional Engine

Manufacturer	Drive Type	Model	Displacement(L)	Rated Power/Speed(kW/r.p.m)
XinChai	Diesel	C490	2.54	37/2650
Nissan	LPG/Gasoline	K25	2.488	37.4/2300
Isuzu	Diesel	C240	2.369	34.3/2500
Mitsubishi	Diesel	S4S	3.331	38/2300
PSI	LPG/Gasoline	PSI 2.4	2.351	47/2700

Machine 2D Graph



Capacity Chart





ZOOMLION ANHUI INDUSTRIAL VEHICLE CO.,LTD

Add: No.2 Nanwei Road,Area of High-tech Development Zone,Wuhu,Anhui Province,China
Post: 241002 TEL: +86-553-3020328 Website: www.zoomlion.com

All information based at the time of printing and subject to change without notice.
Pictures may be shown with optional equipment. All rights reserved.

